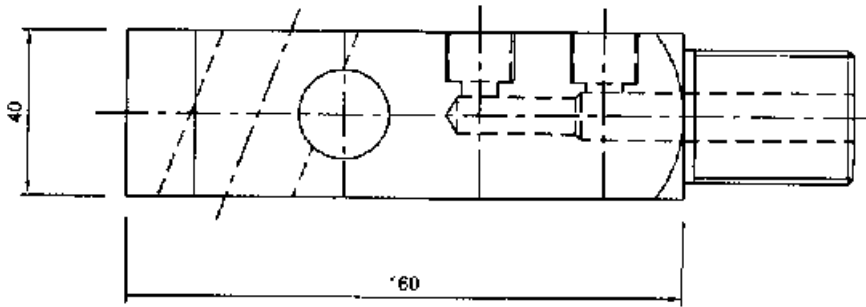


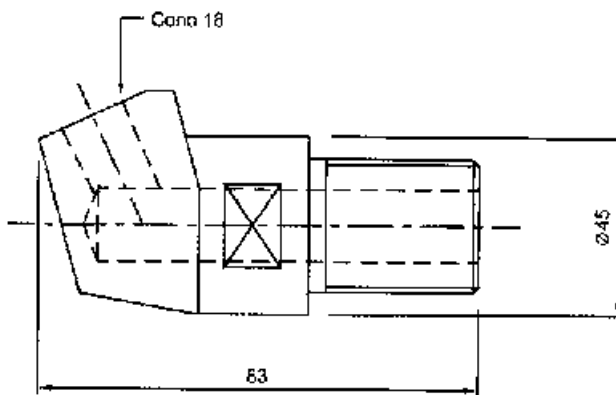
TESTINE

Testine B16 inclinate



TEB-SI

superiore inclinata



TEB-II

inferiore inclinata